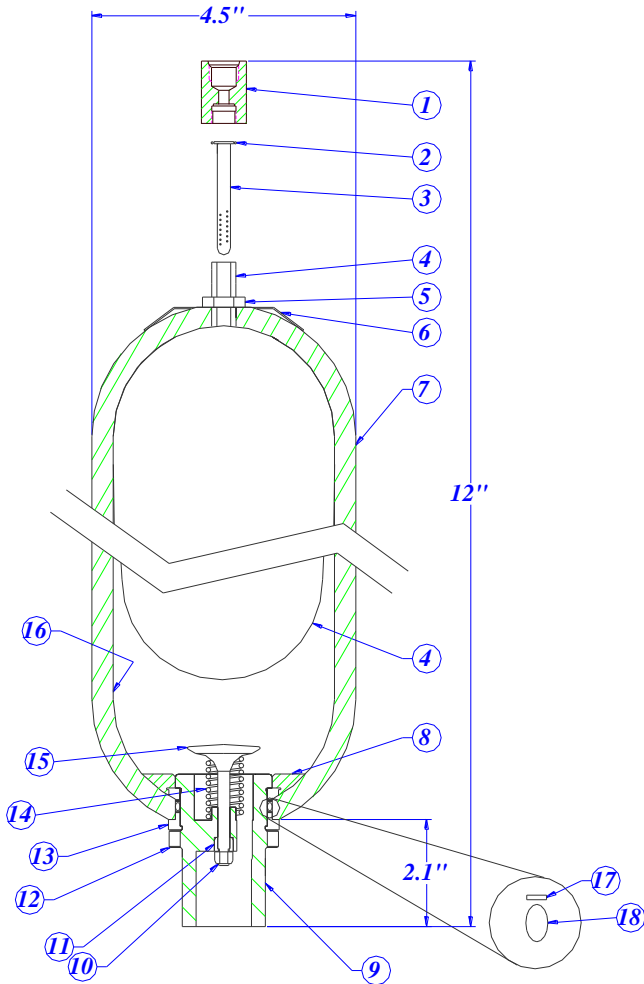


## 1 Quart 3000 & 5000 psi Transfer Barrier Accumulator



List of Component Parts		Alternate Service <sup>1</sup>		
Description	Part Number (OS)	WS	SS	XS
1	Transfer Barrier Coupler <sup>2</sup>	AI-TB-321-C		
2	Transfer Barrier O-Ring	AI-TB-310		
3	Transfer Barrier Tube	AI-TB-320-A		
4	Bladder Kit <sup>3</sup>			
	Buna-Nitrile	AI-1QT-TB-3KTT	-SS	-SS
	Butyl	AI-1QT-TB-3KTB	-SS	-SS
	EPR	AI-1QT-TB-3KTE	-SS	-SS
	Fluorocarbon	AI-1QT-TB-3KTV	-SS	-SS
	Hydrin	AI-1QT-TB-3KTH	-SS	-SS
	Low Temp Buna	AI-1QT-TB-3KTL	-SS	-SS
5	Hex Jam Nut	AI-S-305	-SS	-SS
6	Name Plate	AI-1QT-413		
7	Caution Label	AI-1QT-421		
7	Information Label	AI-1QT-414		
8	Anti-Extrusion Ring			
	Buna-Nitrile	AI-1QT-407	-WS	-WS -WS
	EPDM	AI-1QT-407-E	-WS	-WS -WS
	Fluorocarbon	AI-1QT-407-V	-WS	-WS -WS
9	Oil Port <sup>4</sup>	AI-1QT-402	-WS	-SS -S
10	Stop Nut	AI-1QT-408	-SS	-SS -SS
11	Piston	AI-1QT-405		
12	Locknut	AI-1QT-403	-WS	-SS -SS
13	Spacer	AI-1QT-406	-WS	-SS -SS
14	Spring	AI-1QT-409		
15	Poppet	AI-1QT-404	-SS	-SS -SS
16	Shell (4000 psi, 5000 psi App 22)	Not for Sale	N/A	N/A N/A
17	Metal Back-Up Ring	AI-1QT-412	-SS	-SS -SS
18	O-Ring			
	Buna-Nitrile	AI-1QT-410		
	EPDM	AI-1QT-410-E		
	Fluorocarbon	AI-1QT-410-V		

Dimensions <sup>5</sup>	
Part Number	Weight
AIQTTB3100	9.5 lbs
AIQTTB5100	9.5 lbs

**Standard Configuration**

SA 372 Chrome-moly Steel Shell  
 C-1018, 316 SS and 4130 or 4140 Components  
 1/2" NPT Coupler  
 3/4" NPT Female Fluid Port  
 Buna-Nitrile Rubber Components

**Optional Configuration (at extra cost)**

Resin Coatings, Internal (WS)  
 Electroless Nickel Plating, Internal & External (SS)  
 Resin Coating – ID, 3 Part Marine Epoxy Paint – OD (XS)  
 Stainless Steel Components  
 Foreign and Domestic Codes  
 Call Factory for Other Options

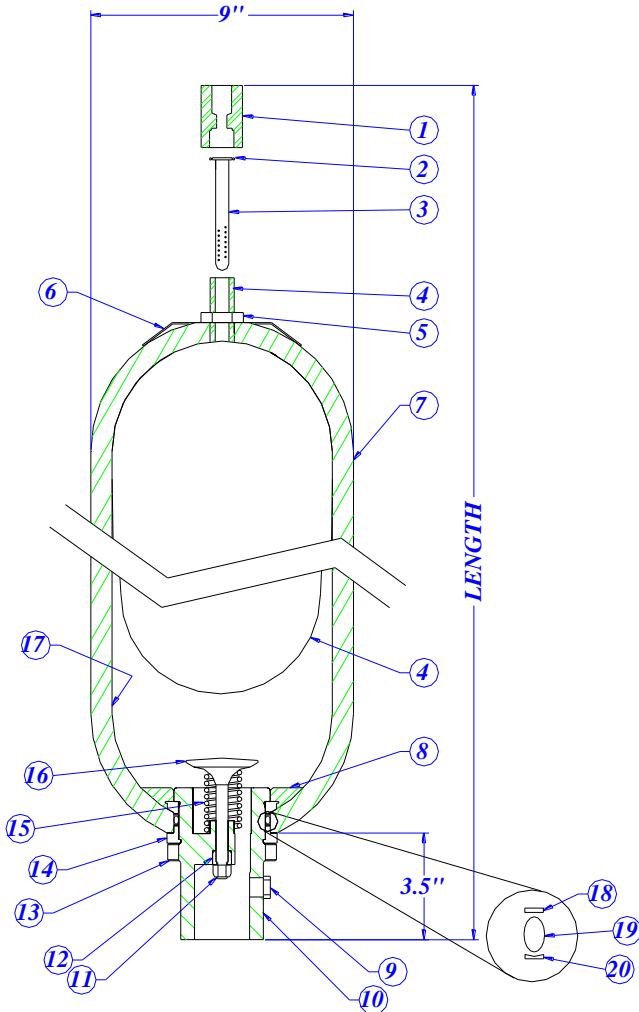
Coupler Options	
Coupler Type	Designation
3/8" NPT	-A
1/2" NPT	-B
3/4" NPT	-C
1" NPT	-D
1 1/4" NPT	-E
3-Way 1/2" NPT	-F
1/4" NPT	-G
1/2"-20 SAE	-H
3/8" x 3/8" x 1/2" NPT	-I
1/8" NPT	-J
Other	Call

Fluid Port Options	
Fluid Port Type	Designation
3/4" NPT Female	None
Metric Female	-2
1 1/16"-12 SAE Female	-3
BSPF Female	-7
Other	Call
Special Materials	Call

1 OS-Oil Service, WS- Water Service, SS-Special Service, XS-Extreme Service  
 2 See Coupler Options for options  
 3 Bladder kit consists of the following parts: 4, 17 and 18  
 4 See Oil Port Configuration for options  
 5 Nominal dimensions. Manufacturing variations will occur. Allow +/-2".

## 1 Gallon 3000 psi Transfer Barrier Accumulator

5000 psi also available. Call factory.



### Standard Configuration

SA 372 Chrome-moly Steel Shell  
 C-1018 and 4130 or 4140 Components  
 1/2" NPT Coupler  
 1 1/4" NPT Female Fluid Port  
 Buna-Nitrile Rubber Components

### Optional Configuration (at extra cost)

Resin Coatings, Internal (WS)  
 Electroless Nickel Plating, Internal & External (SS)  
 Resin Coating – ID, 3 Part Marine Epoxy Paint – OD (XS)  
 Stainless Steel Components  
 Foreign and Domestic Codes  
 Call Factory for Other Options

List of Component Parts			Alternate Service <sup>1</sup>		
Description	Part Number (OS)	WS	SS	XS	
1 Transfer Barrier Coupler <sup>2</sup>	AI-TB-321-C				
2 Transfer Barrier O-Ring	AI-TB-310				
3 Transfer Barrier Tube	AI-TB-320-C				
4 Bladder Kit <sup>3</sup>					
Buna-Nitrile	AI-1-TB-3KT		-SS	-SS	
Butyl	AI-1-TB-3KT-B		-SS	-SS	
EPR	AI-1-TB-3KT-E		-SS	-SS	
Fluorocarbon	AI-1-TB-3KT-V		-SS	-SS	
Hydrin	AI-1-TB-3KT-H		-SS	-SS	
Low Temp Buna	AI-1-TB-3KT-L		-SS	-SS	
5 Hex Jam Nut	AI-S-305	-SS	-SS	-SS	
6 Name Plate	AI-1-413				
7 Caution Label	AI-S-421				
8 Anti-Extrusion Ring					
Buna-Nitrile	AI-1-407	-WS	-WS	-WS	
EPDM	AI-1-407-E	-WS	-WS	-WS	
Fluorocarbon	AI-1-407-V	-WS	-WS	-WS	
9 Oil Port <sup>4</sup>	AI-1-402	-WS	-SS	-SS	
10 Stop Nut	AI-1-408	-SS	-SS	-SS	
11 Piston	AI-1-405	-SS	-SS	-SS	
12 Locknut	AI-1-403	-WS	-SS	-SS	
13 Spacer	AI-1-406	-WS	-SS	-SS	
14 Spring	AI-1-409	-SS	-SS	-SS	
15 Poppet	AI-1-404	-SS	-SS	-SS	
16 Shell (3000 psi)	Not for Sale				
17 Metal Back-Up Ring	AI-1-412	-SS	-SS	-SS	
18 O-Ring					
Buna-Nitrile	AI-1-410				
EPDM	AI-1-410-E				
Fluorocarbon	AI-1-410-V				
19 Rubber Back-Up Ring	AI-1-411				

Dimensions <sup>5</sup>	
Part Number	Weights
AITB3100	32 lbs

Coupler Options	
Coupler Type	Designation
3/8" NPT	-A
1/2" NPT	-B
3/4" NPT	-C
1" NPT	-D
1 1/4" NPT	-E
3-Way 1/2" NPT	-F
1/4" NPT	-G
1/2"-20 SAE	-H
3/8" x 3/8" x 1/2" NPT	-I
1/8" NPT	-J
Other	Call

Fluid Port Options	
Fluid Port Type	Designation
1 1/4" NPT Female	None
Metric Female	-2
1 5/8"-12 SAE Female	-3
Code 61, 1 1/2" SAE Split Flange	-4
BSPP Female	-7
Other	Call
Special Materials	Call

<sup>1</sup> OS-Oil Service, WS- Water Service, SS-Special Service, XS-Extreme Service

<sup>2</sup> See Coupler Options for options

<sup>3</sup> Bladder kit consists of the following parts: 4, 17, 18, and 19

<sup>4</sup> See Oil Port Configuration for options

<sup>5</sup> Nominal dimensions. Manufacturing variations will occur. Allow +/- .2".

